

## Planar LiDAR Sensor for Gates, Gaps, and Rooftop Applications

*Laser Defender LD204S™ Laser Scanner*



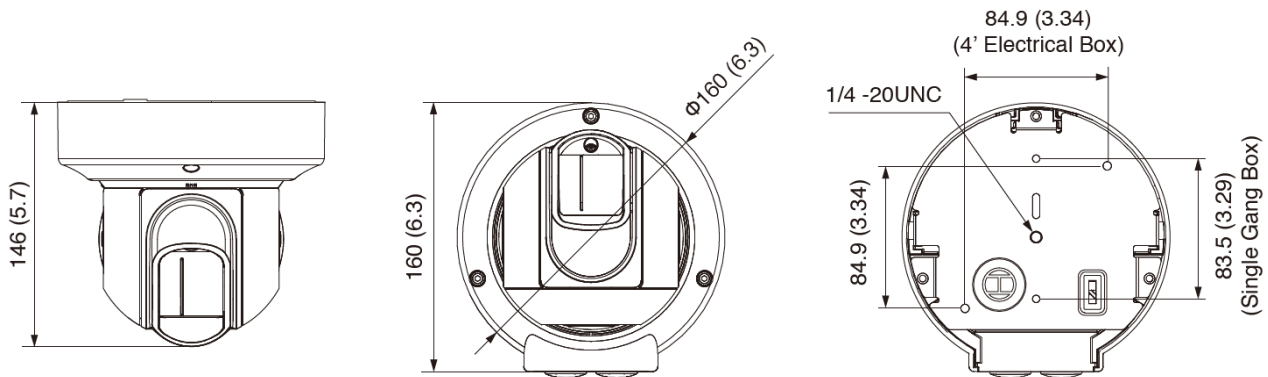
**LD204S** is an IP/PoE laser scan detector providing 20m x 20m vertical or horizontal detection area. The **LD204S** protects assets including vehicle gates, man gates, gaps in the fence line and rooftops by creating an invisible laser wall and detecting any intrusion breaching. Its compact, cosmetic, and versatile design makes it very easy to install and covers many different configurations. In addition to dry contacts, the LD204S generates an Event Code (ASCII format) that is already integrated with most VMS platforms. Not impacted by any lighting conditions, the **LD204S** can act as a trigger to enhance video surveillance or a wide range of security solutions.



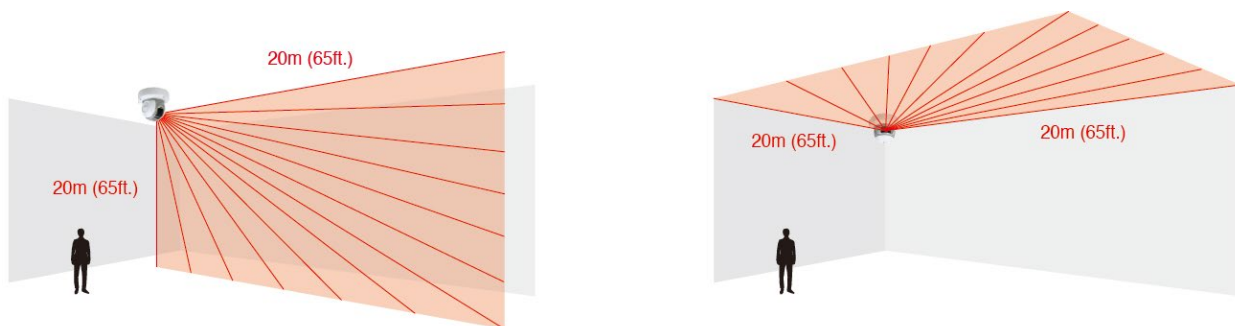
- 20m x 20m (65ft x 65ft), 95-degree detection area
- Vertical and horizontal detection modes
- Multi-angle Adjustment Shell Structure (M.A.S.S.)
- Power-over-Ethernet (PoE)
- Environmental disqualification circuit
- Three outputs for analog connections
- Four adjustable detection areas for IP connections

| LD204S PRODUCT SPECIFICATIONS |   |
|-------------------------------|---|
| <b>Detection Method</b>       | Infrared Laser Scan   |
| <b>Laser Protection Class</b> | Class 1   |
| <b>Power Input</b>            | 10.5 to 30 VDC, PoE (IEEE802.3af/at compliant)  |
| <b>Current Draw</b>           | 500 mA max. (12 VDC), 250 mA max. (24 VDC), 6 W max. (PoE)  |
| <b>Detection Coverage</b>     | Approx. 20m x 20m (65ft x 65ft) Arc: 95-degree  |
| <b>Mounting</b>               | Wall, ceiling, and pole mount   |
| <b>Mounting Height</b>        | Vertical: Indoor 2m (6.7ft) or higher Horizontal: Adjustable to ceiling height  |
| <b>Detection Resolution</b>   | 0.25 degree   |
| <b>Communication Port</b>     | Ethernet RJ-45 10BASE-T / 100BASE-TX  |
| <b>Output</b>                 | 3 outputs, supports 28 VDC 0.2 A max. N.O./N.C. Selectable (3 from Master alarm, Zone outputs, Trouble, Tamper, D.Q.) |
| <b>Input</b>                  | 1 Non-voltage contact input   |
| <b>Alarm Period</b>           | Approx. 2 sec delay timers  |
| <b>Operating Temperature</b>  | -40 to 140°F (-40 to 60°C)  |
| <b>IP Rating</b>              | IP66  |

The light weight **LD204S** Laser Scanner is easily mounted using a standard 4-inch electrical box.



The **LD204S** adds versatility; vertical and horizontal mounting options are available to meet your needs.



Powerful PC-based tuning software allows precise detection areas.

Properties

**Detector**

Group 1: Detector 1

Edit Group/Detector Information | Edit Detector Information

**Detector Information**

|            |                     |
|------------|---------------------|
| Model      | LD204S              |
| Version    | 2.1.0 (11 Jul 2019) |
| Serial No. | 19363580021S        |
| IP Address | 192.168.0.126       |

**Detector Settings**

|                             |             |
|-----------------------------|-------------|
| Detection Mode              | Indoor mode |
| Environmental Resistance    | Disable     |
| Detection Area              | Auto        |
| Minimum Tracking Size       | 2.0 inch    |
| Maximum Tracking Size       | 8.2 ft.     |
| Sensitivity                 | 150 msec.   |
| Minimum Target Size (Width) | 5.9 inch    |

**Alarm Status**

B2 | B1 | A1 | A2

Masking/Allocating File: No.1 | Replace

LEC :

Fiber SenSys sales and support staff can assist with your application design.

For more information, contact us at  
[info@fibersensys.com](mailto:info@fibersensys.com)  
Tel: +1(503) 692-4430  
Toll free (US) +1(800) 641-8150  
[www.fibersensys.com](http://www.fibersensys.com)

