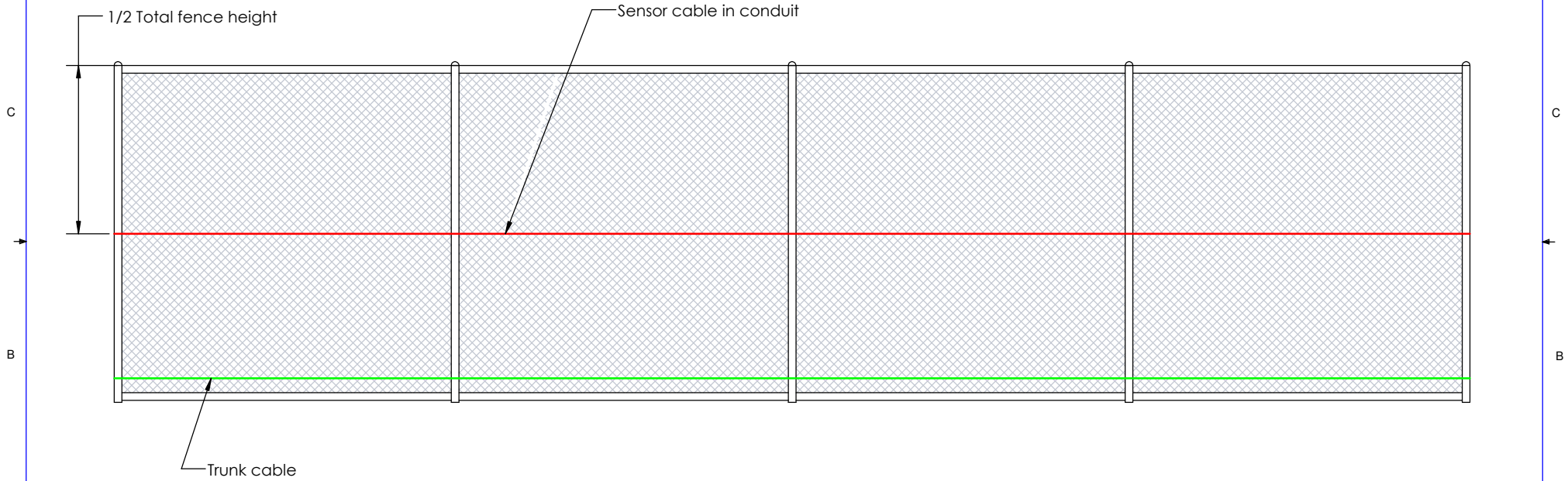
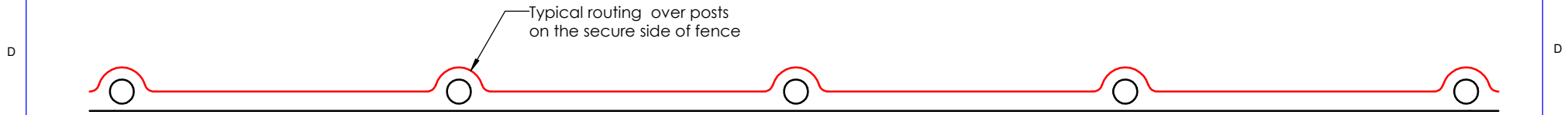

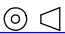


Single Run Sensor, Line Panels



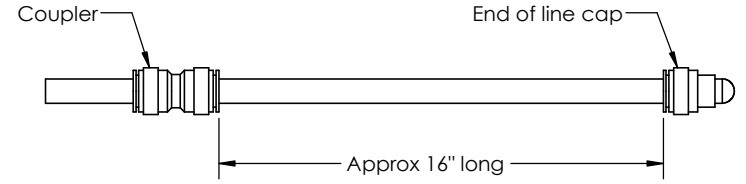
Typical sensor cable installation on a standard chain link fence.

Sensor consists of fiber optic sensing cable in flexible conduit, attached to the fence fabric using stainless steel wire ties with a minimum spacing of 12 inches.

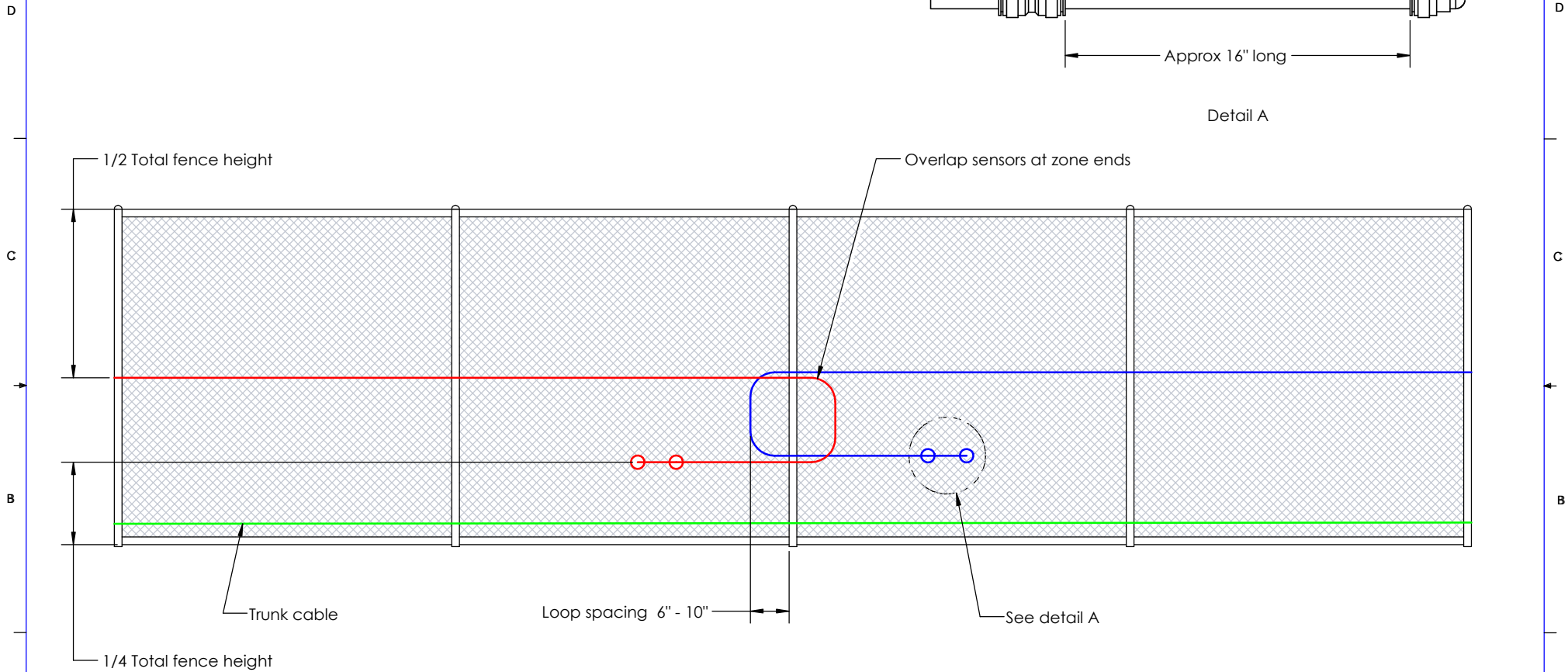
UNLESS OTHERWISE SPECIFIED: DIMENSIONS ARE IN INCHES TOLERANCES: ANGULAR ± 1 DEG X.XX ± 0.010 X.XXX ± 0.005 DO NOT SCALE DRAWING	CONFIDENTIAL-FSI ONLY	
		
INTERPRET PER: ANSI Y14.5M THIRD ANGLE PROJECTION 	TITLE: Single Run Sensor, Line Panels	
THE INFORMATION CONTAINED IN THIS DRAWING IS THE SOLE PROPERTY OF FIBER SENSYS INC. ANY REPRODUCTION IN PART OR AS A WHOLE WITHOUT THE WRITTEN PERMISSION OF FIBER SENSYS IS PROHIBITED.	SIZE B	DRAWING/PART NO. DW-SM-009
	SCALE: 1:1	REV A SHEET 1 OF 7

8 7 6 5 4 3 2 1

Single Run Sensor, Line Panels, Zone Overlap



Detail A



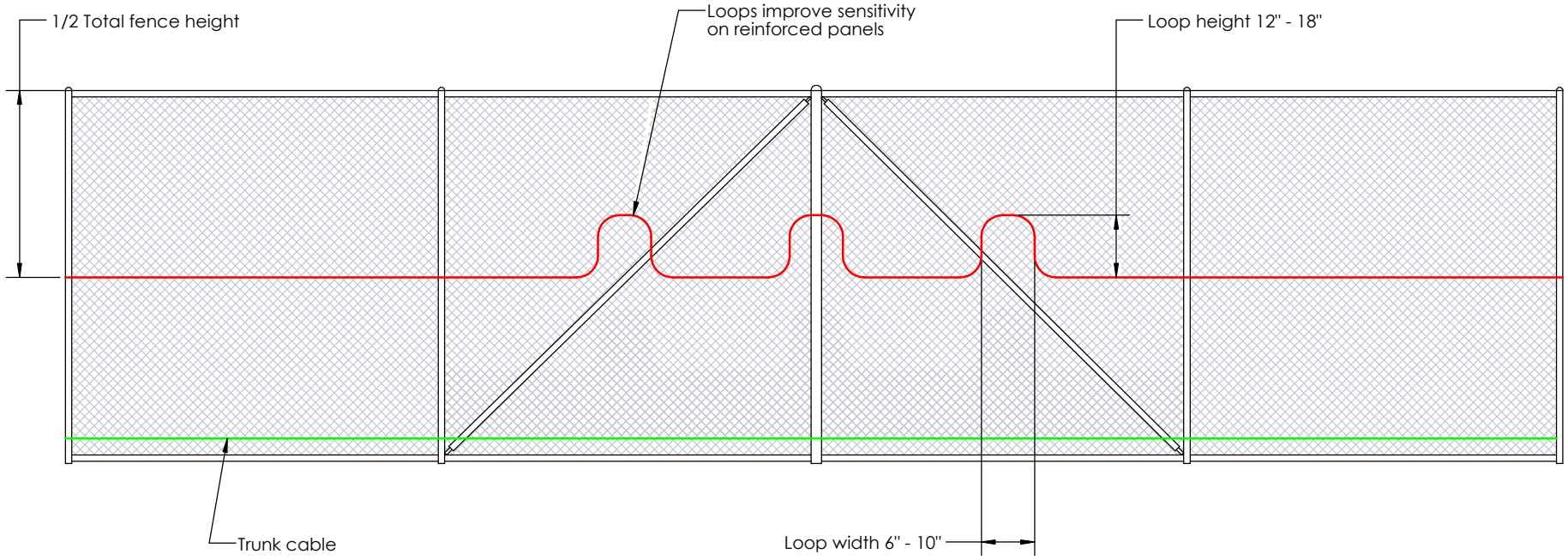
NOTES

Typical sensor cable zone end overlap on a standard chain link fence.
 Sensor consists of fiber optic sensing cable in flexible conduit, attached to the fence fabric using stainless steel wire ties with a minimum spacing of 12 inches.

UNLESS OTHERWISE SPECIFIED: DIMENSIONS ARE IN INCHES TOLERANCES: ANGULAR ± 1 DEG X.XX ± 0.010 X.XXX ± 0.005 DO NOT SCALE DRAWING	CONFIDENTIAL-FSI ONLY	
INTERPRET PER: ANSI Y14.5M THIRD ANGLE PROJECTION	TITLE: Single Run Sensor, Line Panels, Zone Overlap	
THE INFORMATION CONTAINED IN THIS DRAWING IS THE SOLE PROPERTY OF FIBER SENSYS INC. ANY REPRODUCTION IN PART OR AS A WHOLE WITHOUT THE WRITTEN PERMISSION OF FIBER SENSYS IS PROHIBITED.	SIZE B	DRAWING/PART NO. DW-SM-009
	SCALE: 1:1	REV A SHEET 2 OF 7


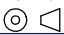
8 7 6 5 4 3 2 1

Single Run Sensor, Reinforced Panel



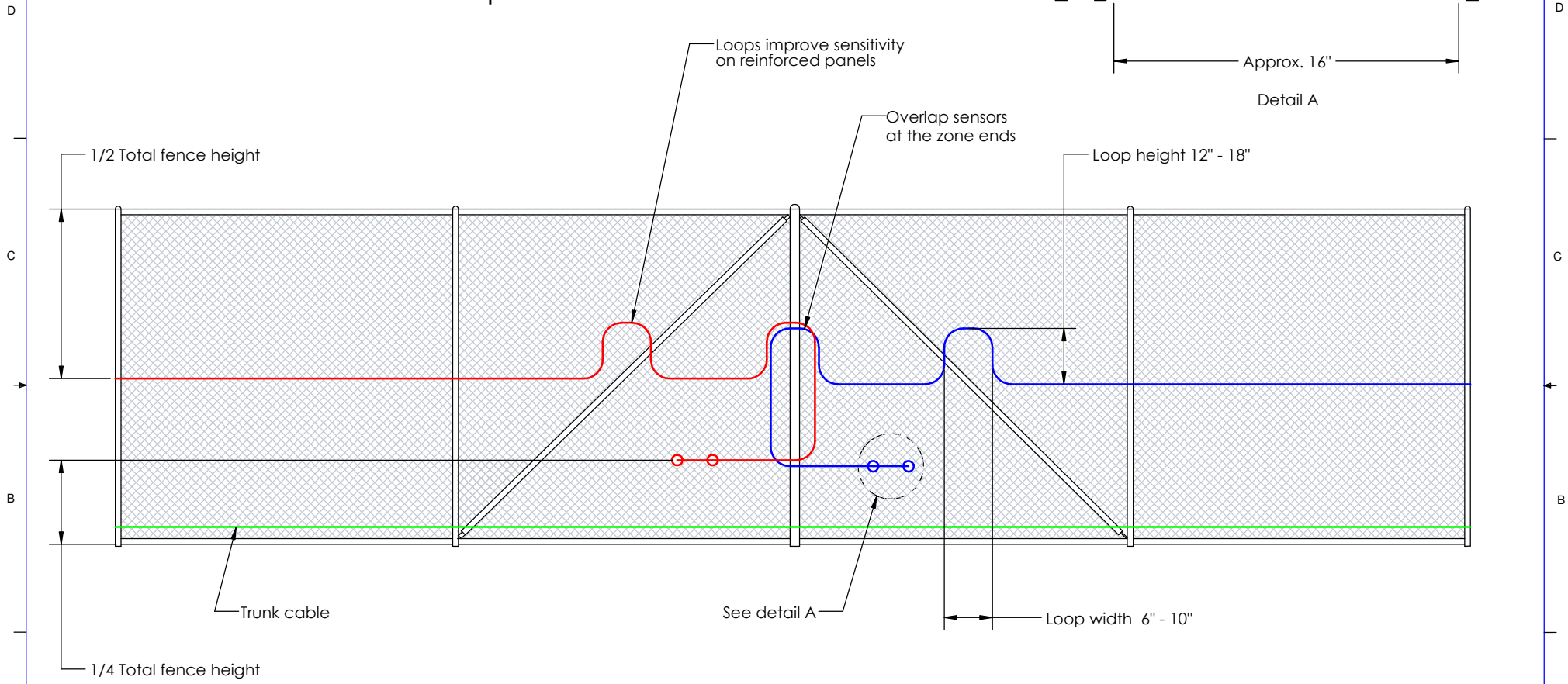
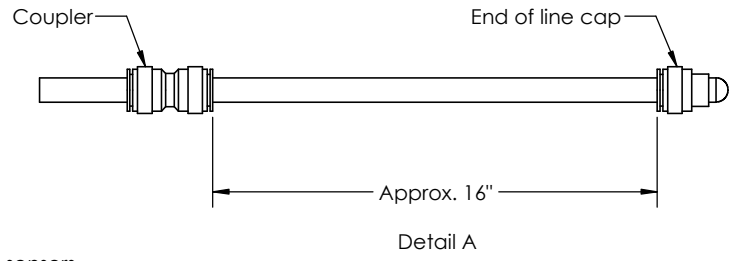
Typical sensor installation with a mid-zone reinforced post.

Sensor consists of fiber optic sensing cable in flexible conduit, attached to the fence fabric using stainless steel wire ties with a minimum spacing of 12 inches.

UNLESS OTHERWISE SPECIFIED: DIMENSIONS ARE IN INCHES TOLERANCES: ANGULAR ± 1 DEG X.XX ± 0.010 X.XXX ± 0.005 DO NOT SCALE DRAWING	CONFIDENTIAL-FSI ONLY	
	Fiber SenSys 	
INTERPRET PER: ANSI Y14.5M THIRD ANGLE PROJECTION 	TITLE: Single Run Sensor, Reinforced Panel	
THE INFORMATION CONTAINED IN THIS DRAWING IS THE SOLE PROPERTY OF FIBER SENSYS INC. ANY REPRODUCTION IN PART OR AS A WHOLE WITHOUT THE WRITTEN PERMISSION OF FIBER SENSYS IS PROHIBITED.	SIZE B	DRAWING/PART NO. DW-SM-009
	SCALE: 1:1	REV A SHEET 3 OF 7

8 7 6 5 4 3 2 1

Single Run Sensor, Reinforced Panels, Zone Overlap



Typical sensor installation with reinforced panel at the zone ends, or reinforced corner post at zone ends.

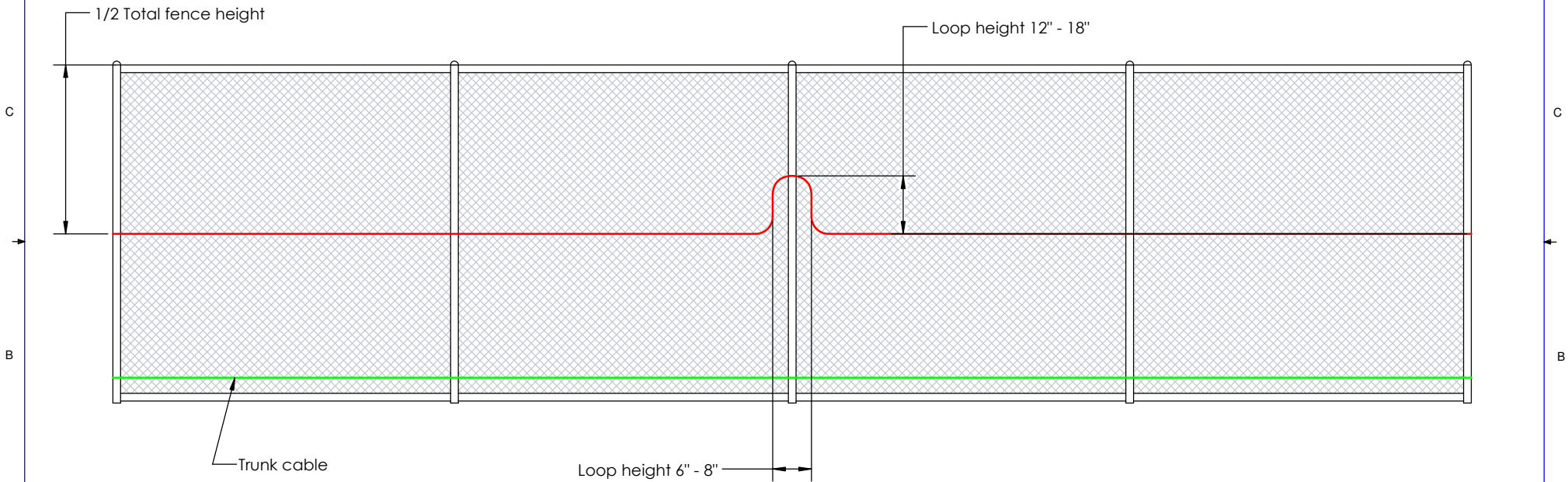
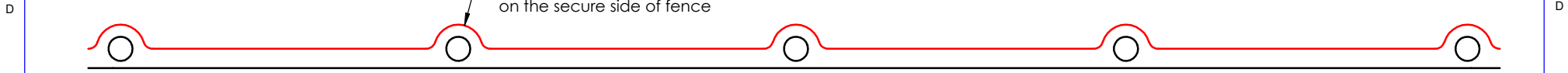
Sensor consists of fiber optic sensing cable in flexible conduit, attached to the fence fabric using stainless steel wire ties with a minimum spacing of 12 inches.

UNLESS OTHERWISE SPECIFIED: DIMENSIONS ARE IN INCHES TOLERANCES: ANGULAR ± 1 DEG X.XX ± 0.010 X.XXX ± 0.005 DO NOT SCALE DRAWING		CONFIDENTIAL-FSI ONLY	
INTERPRET PER: ANSI Y14.5M THIRD ANGLE PROJECTION		Fiber SenSys	
THE INFORMATION CONTAINED IN THIS DRAWING IS THE SOLE PROPERTY OF FIBER SENSYS INC. ANY REPRODUCTION IN PART OR AS A WHOLE WITHOUT THE WRITTEN PERMISSION OF FIBER SENSYS IS PROHIBITED.		TITLE: Single Run Sensor, Reinforced Panels, Zone Overlap	
SIZE B	DRAWING/PART NO. DW-SM-009	REV A	
SCALE: 1:1	SHEET 4 OF 7		

8 7 6 5 4 3 2 1

8 7 6 5 4 3 2 1

Single Run Sensor, Line Panels, Service Loop



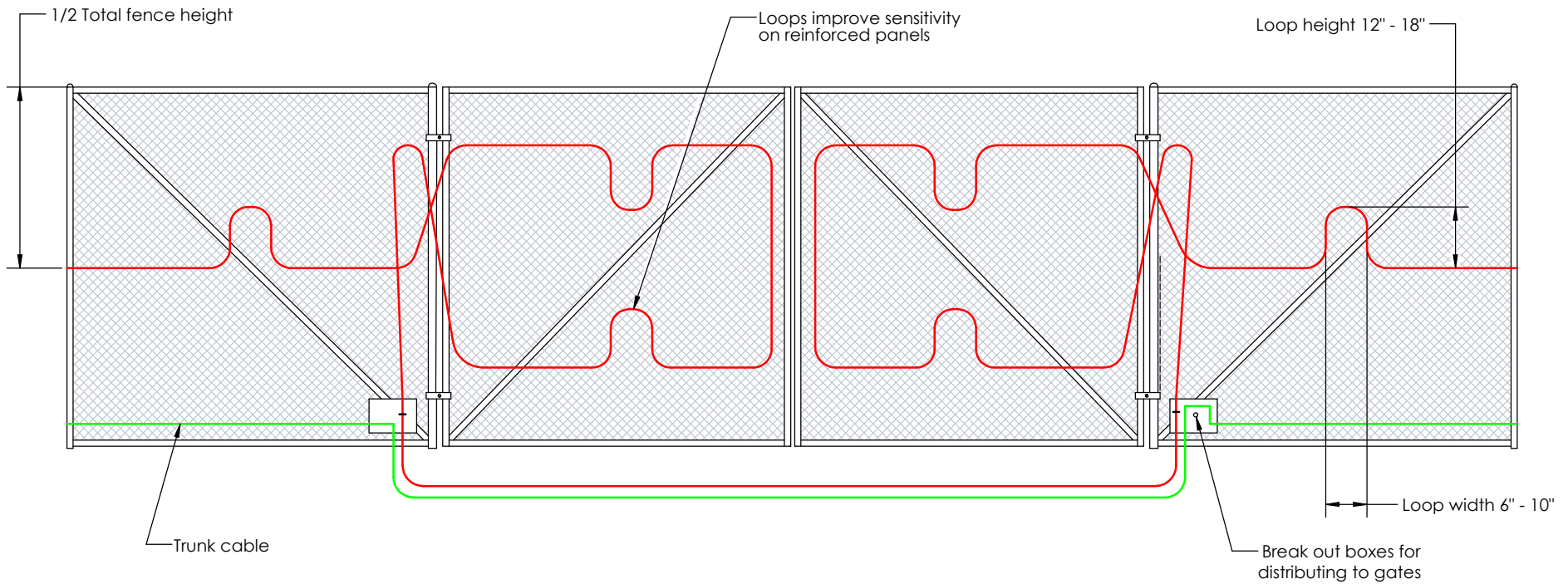
Typical sensor installation with reinforced panel at the zone ends, or reinforced corner post at zone ends.

Sensor consists of fiber optic sensing cable in flexible conduit, attached to the fence fabric using stainless steel wire ties with a minimum spacing of 12 inches.

UNLESS OTHERWISE SPECIFIED: DIMENSIONS ARE IN INCHES		CONFIDENTIAL-FSI ONLY	
TOLERANCES: ANGULAR ± 1 DEG X.XX ± 0.010 X.XXX ± 0.005			
DO NOT SCALE DRAWING			
INTERPRET PER: ANSI Y14.5M THIRD ANGLE PROJECTION	TITLE: Single Run Sensor, Line Panels, Service Loop		
THE INFORMATION CONTAINED IN THIS DRAWING IS THE SOLE PROPERTY OF FIBER SENSYS INC. ANY REPRODUCTION IN PART OR AS A WHOLE WITHOUT THE WRITTEN PERMISSION OF FIBER SENSYS IS PROHIBITED.	SIZE B	DRAWING/PART NO. DW-SM-009	REV A
	SCALE: 1:1	SHEET 5 OF 7	


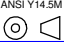
8 7 6 5 4 3 2 1

Single Run Sensor, Double Leaf Swing Gate

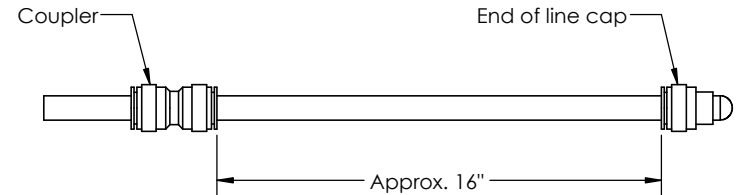


Typical sensor installation on a double swinging gate included in a single zone. Note the buried link from one side gate to the other.

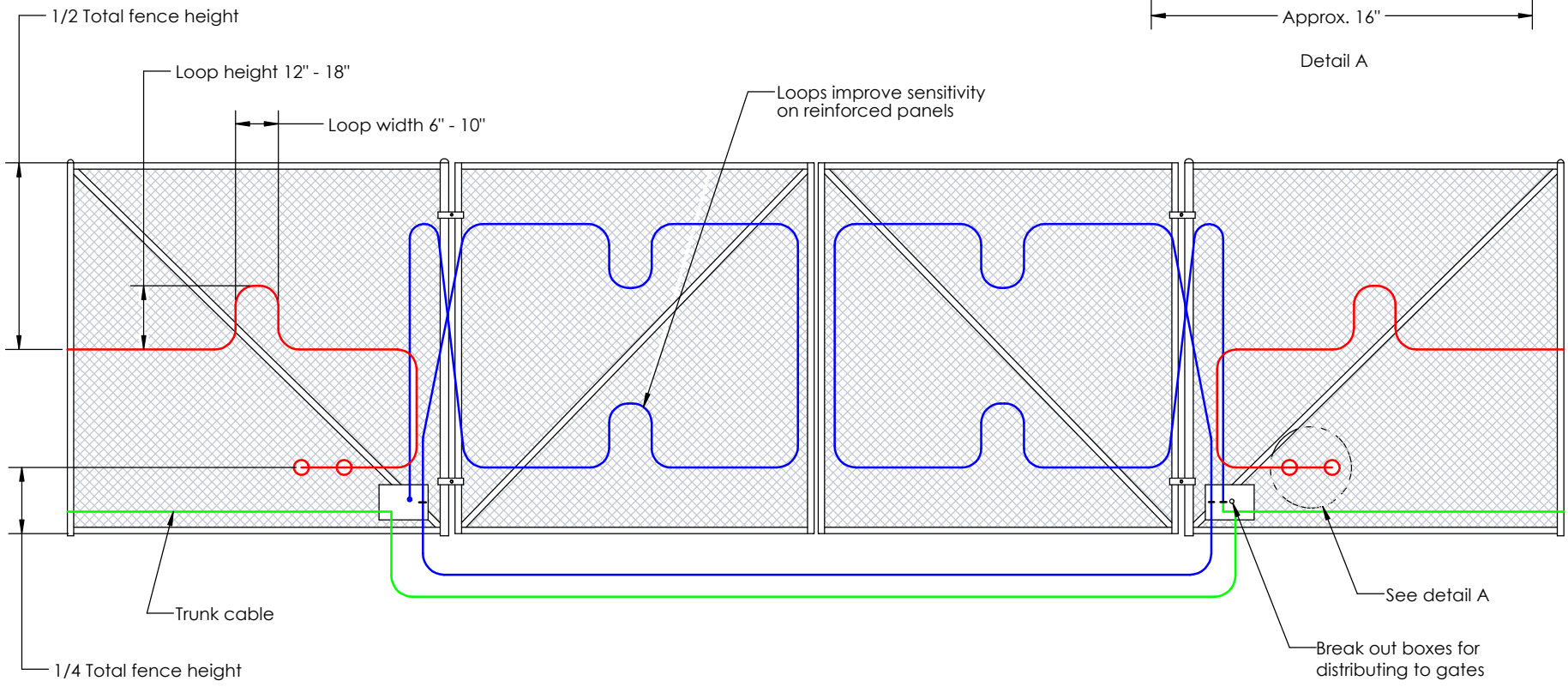
Sensor consists of fiber optic sensing cable in flexible conduit, attached to the fence fabric using stainless steel wire ties with a minimum spacing of 12 inches.

UNLESS OTHERWISE SPECIFIED: DIMENSIONS ARE IN INCHES TOLERANCES: ANGULAR ± 1 DEG X.XX ± 0.010 X.XXX ± 0.005 DO NOT SCALE DRAWING	CONFIDENTIAL-FSI ONLY	
	Fiber SenSys 	
INTERPRET PER: ANSI Y14.5M THIRD ANGLE PROJECTION 	TITLE: Single Run Sensor, Double Leaf Swing Gate	
THE INFORMATION CONTAINED IN THIS DRAWING IS THE SOLE PROPERTY OF FIBER SENSYS INC. ANY REPRODUCTION IN PART OR AS A WHOLE WITHOUT THE WRITTEN PERMISSION OF FIBER SENSYS IS PROHIBITED.	SIZE B	DRAWING/PART NO. DW-SM-009
	SCALE: 1:1	REV A
		SHEET 6 OF 7

Single Run Sensor, Double Leaf Swing Gate, Isolated Gate Zone



Detail A



Typical sensor installation on a double swinging gate zone. Note the buried link from one side gate to the other.

Sensor consists of fiber optic sensing cable in flexible conduit, attached to the fence fabric using stainless steel wire ties with a minimum spacing of 12 inches.

UNLESS OTHERWISE SPECIFIED:
DIMENSIONS ARE IN INCHES
TOLERANCES:
ANGULAR ± 1 DEG
X.XX ± 0.010
X.XXX ± 0.005
DO NOT SCALE DRAWING

CONFIDENTIAL-FSI ONLY



INTERPRET PER: ANSI Y14.5M
THIRD ANGLE PROJECTION

TITLE: Single Run Sensor, Double Leaf Swing Gate Isolated Gate Zone

THE INFORMATION CONTAINED IN THIS DRAWING IS THE SOLE PROPERTY OF FIBER SENSYS INC. ANY REPRODUCTION IN PART OR AS A WHOLE WITHOUT THE WRITTEN PERMISSION OF FIBER SENSYS IS PROHIBITED.

SIZE B	DRAWING/PART NO. DW-SM-009	REV A
------------------	-------------------------------	-----------------

SCALE: 1:1 SHEET 7 OF 7